

PRODUCT INFORMATION PACKET

Model No: 215THTL7726
Catalog No: Y547
10,1800,TENV,215TC,3/60/230/460
1000:1 Speed Ratio



Regal and Marathon are trademarks of Regal Beloit Corporation or one of its affiliated companies.
©2019 Regal Beloit Corporation, All Rights Reserved. MC017097E





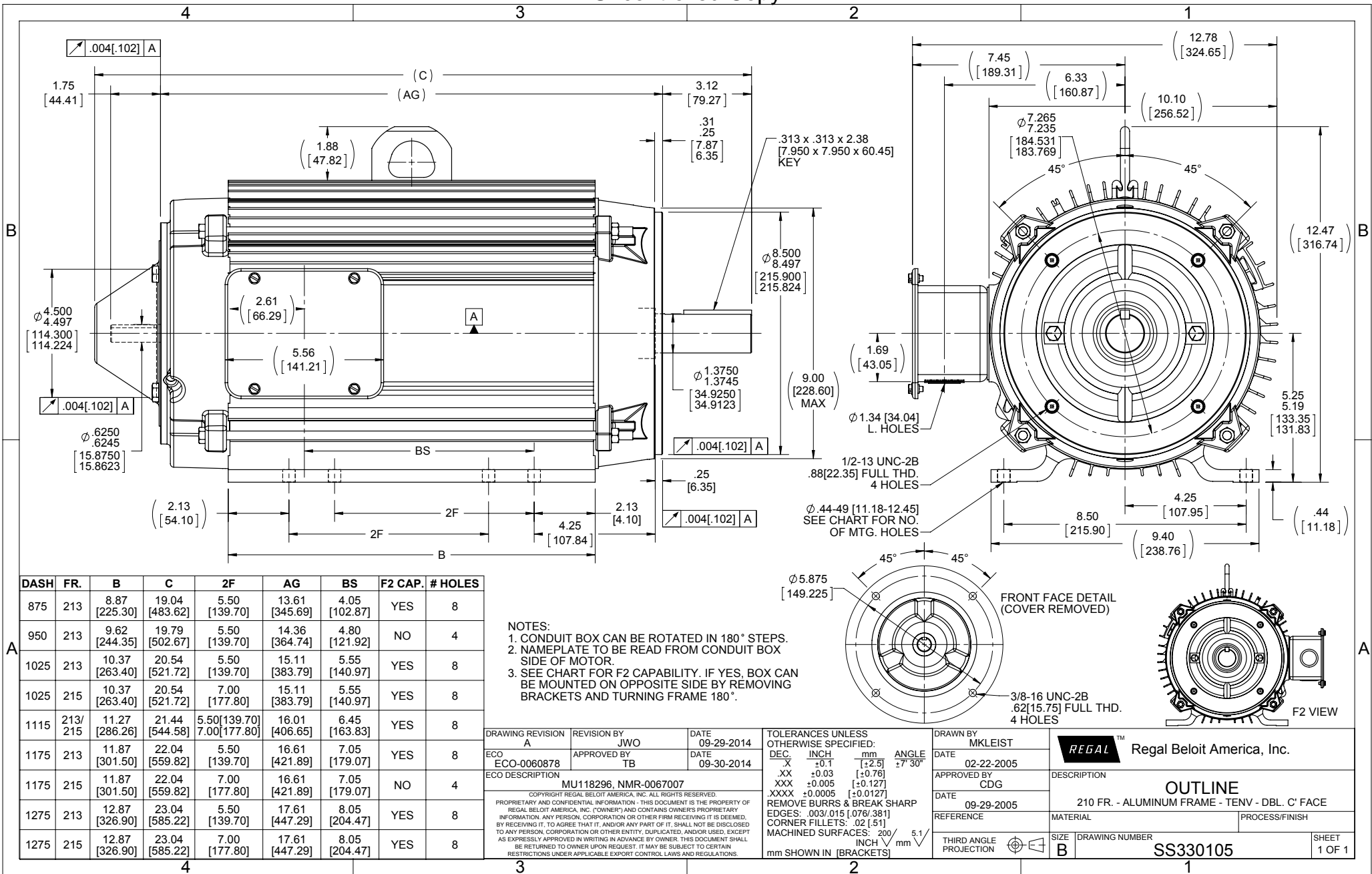
Nameplate Specifications

Output HP	10 HP	Output KW	7.5 kW
Frequency	60 Hz	Voltage	230/460 V
Current	27.0/13.5 A	Speed	1774 RPM
Service Factor	1	Phase	3
Efficiency	90.2 %	Duty	Continuous
Insulation Class	F	Design Code	INV
KVA Code	M	Frame	215TC
Enclosure	Totally Enclosed Non Ventilated	Overload Protector	No
Ambient Temperature	40 °C	Drive End Bearing Size	6309
Opp Drive End Bearing Size	6206	UL	Recognized
CSA	Y	CE	Y
IP Code	43		

Technical Specifications

Electrical Type	Squirrel Cage Inverter Duty	Starting Method	Inverter Only
Poles	4	Rotation	Reversible
Mounting	Rigid Base	Motor Orientation	Horizontal
Drive End Bearing	Ball	Opp Drive End Bearing	Ball
Frame Material	Aluminum	Shaft Type	T
Overall Length	23.04 in	Frame Length	12.75 in
Shaft Diameter	1.375 in	Shaft Extension	3.12 in
Assembly/Box Mounting	F1/F2 Capable		
Outline Drawing	B-SS330105-1275	Connection Diagram	A-EE7308T

This is an uncontrolled document once printed or downloaded and is subject to change without notice. Date Created: 08/27/2019



DASH	FR.	B	C	2F	AG	BS	F2 CAP.	# HOLES
875	213	8.87 [225.30]	19.04 [483.62]	5.50 [139.70]	13.61 [345.69]	4.05 [102.87]	YES	8
950	213	9.62 [244.35]	19.79 [502.67]	5.50 [139.70]	14.36 [364.74]	4.80 [121.92]	NO	4
1025	213	10.37 [263.40]	20.54 [521.72]	5.50 [139.70]	15.11 [383.79]	5.55 [140.97]	YES	8
1025	215	10.37 [263.40]	20.54 [521.72]	7.00 [177.80]	15.11 [383.79]	5.55 [140.97]	YES	8
1115	213/ 215	11.27 [286.26]	21.44 [544.58]	5.50 [139.70] 7.00 [177.80]	16.01 [406.65]	6.45 [163.83]	YES	8
1175	213	11.87 [301.50]	22.04 [559.82]	5.50 [139.70]	16.61 [421.89]	7.05 [179.07]	YES	8
1175	215	11.87 [301.50]	22.04 [559.82]	7.00 [177.80]	16.61 [421.89]	7.05 [179.07]	NO	4
1275	213	12.87 [326.90]	23.04 [585.22]	5.50 [139.70]	17.61 [447.29]	8.05 [204.47]	YES	8
1275	215	12.87 [326.90]	23.04 [585.22]	7.00 [177.80]	17.61 [447.29]	8.05 [204.47]	YES	8

- NOTES:
 1. CONDUIT BOX CAN BE ROTATED IN 180° STEPS.
 2. NAMEPLATE TO BE READ FROM CONDUIT BOX SIDE OF MOTOR.
 3. SEE CHART FOR F2 CAPABILITY. IF YES, BOX CAN BE MOUNTED ON OPPOSITE SIDE BY REMOVING BRACKETS AND TURNING FRAME 180°.

DRAWING REVISION A	REVISION BY JWO	DATE 09-29-2014
ECO ECO-0060878	APPROVED BY TB	DATE 09-30-2014
ECO DESCRIPTION MU118296, NMR-0067007		
COPYRIGHT REGAL BELOIT AMERICA, INC. ALL RIGHTS RESERVED. PROPRIETARY AND CONFIDENTIAL INFORMATION - THIS DOCUMENT IS THE PROPERTY OF REGAL BELOIT AMERICA, INC. (OWNER) AND CONTAINS OWNER'S PROPRIETARY INFORMATION. ANY PERSON, CORPORATION OR OTHER FIRM RECEIVING IT IS DEEMED, BY RECEIVING IT, TO AGREE THAT IT, AND/OR ANY PART OF IT, SHALL NOT BE DISCLOSED TO ANY PERSON, CORPORATION OR OTHER ENTITY, DUPLICATED, AND/OR USED, EXCEPT AS EXPRESSLY APPROVED IN WRITING IN ADVANCE BY OWNER. THIS DOCUMENT SHALL BE RETURNED TO OWNER UPON REQUEST. IT MAY BE SUBJECT TO CERTAIN RESTRICTIONS UNDER APPLICABLE EXPORT CONTROL LAWS AND REGULATIONS.		

TOLERANCES UNLESS OTHERWISE SPECIFIED:			
DEC.	INCH	mm	ANGLE
.X	±0.1	[±2.5]	±7° 30'
.XX	±0.03	[±0.76]	
.XXX	±0.005	[±0.127]	
.XXXX	±0.0005	[±0.0127]	
REMOVE BURRS & BREAK SHARP EDGES: .003/.015 [076/381] CORNER FILLETS: .02 [51] MACHINED SURFACES: 200 mm SHOWN IN [BRACKETS]			

DRAWN BY MKLEIST	DATE 02-22-2005
APPROVED BY CDG	DATE 09-29-2005
REFERENCE	THIRD ANGLE PROJECTION

Regal Beloit America, Inc.	
DESCRIPTION 210 FR. - ALUMINUM FRAME - TENV - DBL. C' FACE	
MATERIAL	PROCESS/FINISH
SIZE B	DRAWING NUMBER SS330105
SHEET 1 OF 1	

HIGH VOLTAGE



**THREE PHASE
DUAL VOLTAGE MOTOR**

THERMO-PROTECTORS
CONNECTED IN SERIES



NOTE FOR FACTORY USE ONLY:
TO SURGE TEST FOR COMMON CONNECT:
HIGH VOLT: CONNECT P1 TO T1
THEN P2 TO L1
LOW VOLT: CONNECT P1 TO T1 & T7,
THEN P2 TO L1

LOW VOLTAGE



VIEW OF TERMINAL END

NOTE: LEAD'S COLOR CAN BE YELLOW OR WHITE FOR MT2 PLANT

DRAWING REVISION T	REVISION BY ZR	DATE 01-14-2019		DRAWN BY SMC	Regal Beloit America, Inc.
ECO ECO-0159915	APPROVED BY DR	DATE 01-15-2019		DATE 05-13-1992	
ECO DESCRIPTION ADDED TERMINAL CONNECTION DIAGRAM				APPROVED BY TB	DESCRIPTION CONN DIAGRAM-INTERNAL 3 PHASE - DUAL VOLTAGE MOTOR
<small>COPYRIGHT REGAL BELOIT AMERICA, INC. ALL RIGHTS RESERVED. PROPRIETARY AND CONFIDENTIAL INFORMATION - THIS DOCUMENT IS THE PROPERTY OF REGAL BELOIT AMERICA, INC. ("OWNER") AND CONTAINS OWNER'S PROPRIETARY INFORMATION. ANY PERSON, CORPORATION OR OTHER FIRM RECEIVING IT IS DEEMED, BY RECEIVING IT, TO AGREE THAT IT, AND/OR ANY PART OF IT, SHALL NOT BE DISCLOSED TO ANY PERSON, CORPORATION OR OTHER ENTITY, DUPLICATED, AND/OR USED, EXCEPT AS EXPRESSLY APPROVED IN WRITING IN ADVANCE BY OWNER. THIS DOCUMENT SHALL BE RETURNED TO OWNER UPON REQUEST. IT MAY BE SUBJECT TO CERTAIN RESTRICTIONS UNDER APPLICABLE EXPORT CONTROL LAWS AND REGULATIONS.</small>			DATE 05-13-1992	MATERIAL	PROCESS/FINISH
			REFERENCE EE7308/EE7300	THIRD ANGLE PROJECTION	SIZE A

CERTIFICATION DATA SHEET

Model#: 215THTL7726 FV WINDING#: K2154304 NONE 3
 CONN. DIAGRAM: A-EE7308T ASSEMBLY: F1/F2 CAPABLE
 OUTLINE: B-SS330105-1275

TYPICAL MOTOR PERFORMANCE DATA

HP	KW	SYNC. RPM	F.L. RPM	FRAME	ENCLOSURE	KVA CODE	DESIGN		
10	7.50	1800	1774	215TC	TENV	M	INV		
PH	Hz	VOLTS	FL AMPS	START TYPE	DUTY	INSL	S.F	AMB°C	ELEVATION
3	60	230/460	27/13.5	INVERTER ONLY	CONTINUOUS	F3	1.0	40	3300

FULL LOAD EFF: 90.2	3/4 LOAD EFF: 90.2	1/2 LOAD EFF: 87.5	GTD. EFF	ELEC. TYPE	NO LOAD AMPS
FULL LOAD PF: 76	3/4 LOAD PF: 69	1/2 LOAD PF: 56	88.5	SQ CAGE INV DUTY	14.8 / 7.4

F.L. TORQUE	LOCKED ROTOR AMPS	L.R. TORQUE	B.D. TORQUE	F.L. RISE°C
29.6 LB-FT	250 / 125	110 LB-FT 372	125 LB-FT 422	90

SOUND PRESSURE @ 3 FT.	SOUND POWER	ROTOR WK ²	MAX. WK ²	SAFE STALL TIME	STARTS /HOUR	APPROX. MOTOR WGT
62 dBA	72 dBA	1.3 LB-FT ²	0 LB-FT ²	0 SEC.	0	183 LBS.

EQUIVALENT WYE CKT.PARAMETERS (OHMS PER PHASE)

R1	R2	X1	X2	XM
0.284	0.284	1.42	2.272	34.932
RM	ZREF	XR	TD	TD0
1417.16	28.4	3.8	0.01	0.29

*** SUPPLEMENTAL INFORMATION ***

DE BRACKET TYPE	ODE BRACKET TYPE	MOUNT TYPE	ORIENTATION	SEVERE DUTY	HAZARDOUS LOCATION	DRIP COVER	SCREENS	PAINT
C-FACE	BRAKE OR ENCODER	RIGID	HORIZONTAL	FALSE	NONE	FALSE	NONE	BLACK (ENAMEL)
BEARINGS	GREASE	SHAFT TYPE	SPECIAL DE	SPECIAL ODE	SHAFT MATERIAL	FRAME MATERIAL		
DE	OPE				1045 HOT ROLLED (C-204)	ALUMINIUM		
BALL	BALL	POLYREX EM	T	NONE				
6309	6206							

THERMOSTATS	PROTECTORS	WDG RTDS	BRG RTDS	THERMISTORS	CONTROL	SPACE /n HEATERS
TSTATS (NIC)	NOT	NONE	NONE	NONE	FALSE	NONE VOLTS

If Inverter equals NONE, contact factory for further Information

INVERTER TORQUE: CONSTANT 1000.1
INV. HP SPEED RANGE: 2.0 X BASE SPEED
ENCODER: PROVISIONS ONLY
NONE NONE
NONE NONE PPR
BRAKE: PROVISIONS ONLY NONE
NONE P/N NONE

*
N
O
T
E
S
*

NONE	NONE	NONE	NONE HZ
NONE FT-LB	NONE V		

DATE: 06/21/2017 10:38:09 AM
FORM 3531 REV.3 02/07/99
** Subject to change without notice.

Data Sheet

Date: 16-06-2017
 Customer: _____
 Attention: _____
 Submitted by: FAREEDA DUDEKULA



215THTL7726

Submittal

Data @ 460 V

Motor Load Data

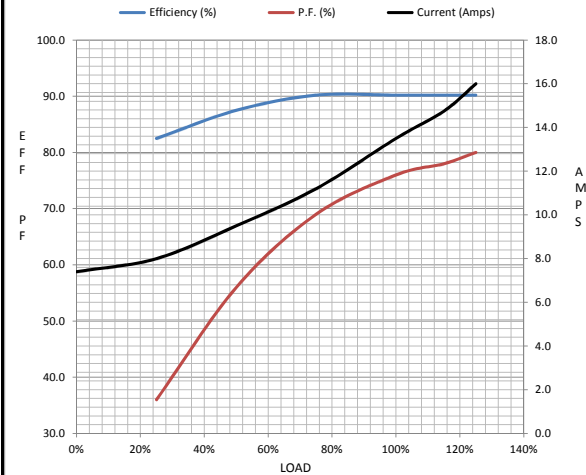
Load	0%	25%	50%	75%	100%	115%	125%	LR
Current (Amps)	7.4	8.0	9.5	11.2	13.5	14.8	16.0	125
Torque (ft-lb)	0.00	7.5	14.7	22.2	29.6	33.4	37.2	110
RPM	1800	1792	1786	1780	1774	1,771	1766	0
Efficiency (%)		82.5	87.5	90.2	90.2	90.2	90.2	
P.F. (%)	7.0	36.0	56.0	69.0	76.0	78.0	80.0	43.0

Motor Speed Data

	LR	Pull-Up	BD	Rated	Idle
Speed (RPM)	0	900	1600	1774	1800
Current (Amps)	125	105	70.0	13.5	7.4
Torque (ft-lb)	110	100	125	29.6	0.00

Information Block

HP	10.0			
Sync. RPM	1800			
Frame	215			
Enclosure	TENV			
Construction	TTL			
Voltage	230/460 V			
Frequency	60 Hz			
Design	A			
LR Code letter	M			
Service Factor	1.0			
Temp Rise @ FL	90 ° C			
Duty	CONT			
Ambient	40 ° C			
Elevation	1,000 feet			
Rotor/Shaft wk ²	1.30 Lb-Ft ²			
Ref Wdg	K2154304 NONE			
Sound Pressure @ 1M	62 dBA			
VFD Rating	CONSTANT 1000:1			
Outline Dwg	B-SS330105-1275			
Conn. Diag	A-EE7308T			
Additional Specifications:				
0				
365THFS8036				
EQUIV CKT (OHMS / PHASE)				
R1	R2	X1	X2	Xm
0.2840	0.2840	1.4200	2.2720	34.9320



Speed -Torque Curve

